



Technical data sheet

EOS Orbit

Sauna heater for commercial saunas. Floor-standing model.

Premium-class sauna heater in distinctive 360° design for the Finnish (dry) sauna. Ideal for placement in front of glass walls or in the centre of the sauna.

For commercial sauna cabins.

Your advantages:

- Exclusive 360° design with round-shape housing with anthracite pearl effect powder coating.
- Optimized stainless steel construction with strong air circulation for faster heat-up times.
- Ideal for placement in front of glass walls or in the centre of the sauna thanks to the round-shape housing.
- Stylish round-shape guard rail cut of solid wood, available in various wood sorts (optional accessory).
- Made in Germany quality from EOS.

Specifications:

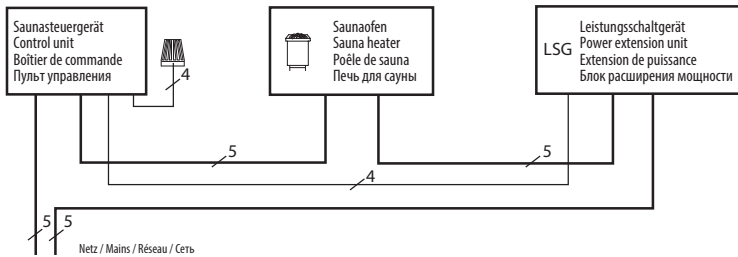
Outer shell:	Stainless steel with anthracite pearl effect powder coating, scratch resistant
Top:	Stainless steel
Feet:	Stainless steel
Terminal box:	Stainless steel
Power range:	12, 15, 18, 21 and 24 kW
Power supply:	400 V 3N AC 50 Hz
Rock store volume:	approx. 40 kg (Sauna stones optionally available)
Dimensions:	Ø 65,5 x 92 cm (guard rail Ø 93,5 cm)
Installation:	Floor-standing



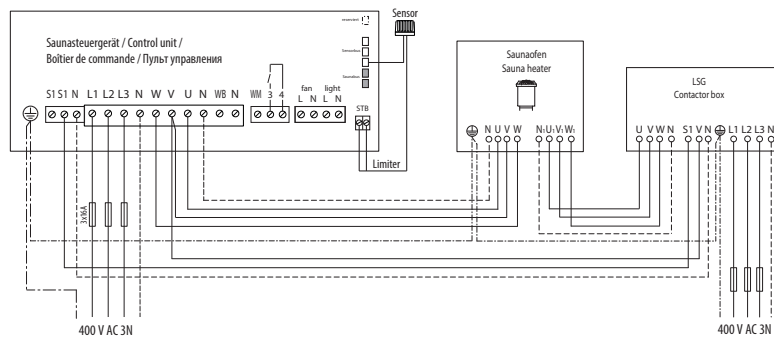
CE EAC IPx4 MADE IN GERMANY 

Connection diagram

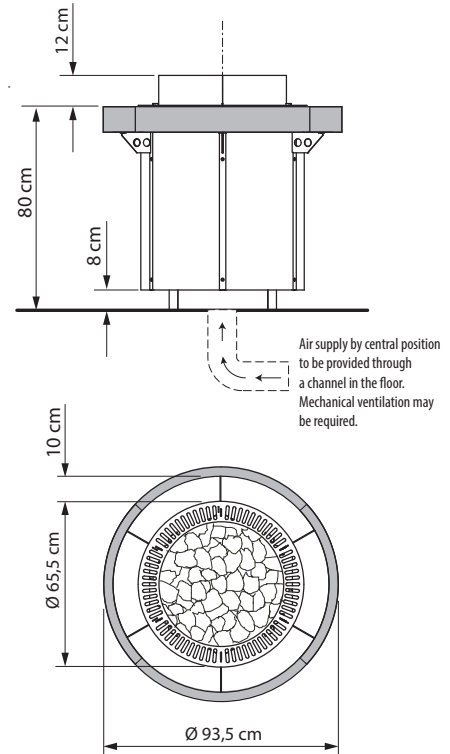
12,0 - 24,0 kW



12,0 - 24,0 kW



Dimensions



Technical specifications

Power output	Electrical connection	Connection mains - control unit	Connection control unit - heater	Connection mains - LSG	Connection LSG - heater	Connection control unit - LSG unit
12 kW	400 V 3N AC 50 Hz	5 x 2,5 mm ²	5 x 1,5 mm ²	5 x 2,5 mm ²	5 x 1,5 mm ²	4 x 1,5 mm ²
15 kW						
18 kW						
21 kW				5 x 6 mm ²	5 x 6 mm ²	
24 kW						

All cross sections of a line are minimum diameters in mm² (copper wire).

Spare heating elements

Description	Item no.
Für 12,0 kW (4 x 3000 W)	2001.2967
Für 15,0 kW (5 x 3000 W)	
Für 18,0 kW (6 x 3000 W)	
Für 21,0 kW (7 x 3000 W)	
Für 24,0 kW (8 x 3000 W)	

Item no.	Power output	Electrical connection	Fuse protection control unit	Fuse protection LSG unit	Dimensions in cm	For sauna cabin size	Min. size of air inlet and outlet	Weight without rocks	Stone filling	Power extension required	Suitable sauna control units
94.6419	12,0 kW	400 V 3N AC 50 Hz	3 x 16 A	3 x 16 A	Ø 65,5 x 92	14 - 18 m ³	50 x 6 cm	~ 54 kg	~ 40 kg	EmoTec LSG 09R	EOS Econ series, EmoTec series, EmoStyle series, EmoTouch series
94.6420	15,0 kW					18 - 25 m ³	50 x 6 cm				
94.6421	18,0 kW					24 - 30 m ³	50 x 8 cm	~ 55 kg			
94.6422	21,0 kW			30 - 34 m ³		50 x 8 cm					
94.6423	24,0 kW			35 - 40 m ³		50 x 10 cm					